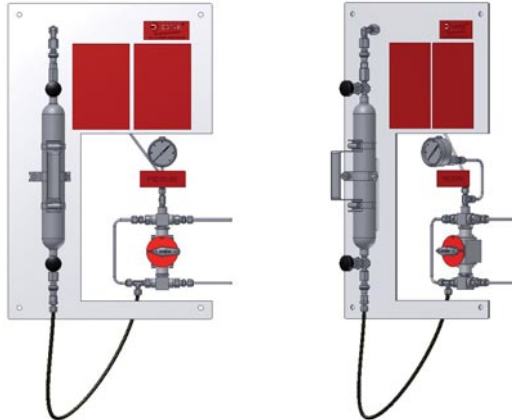


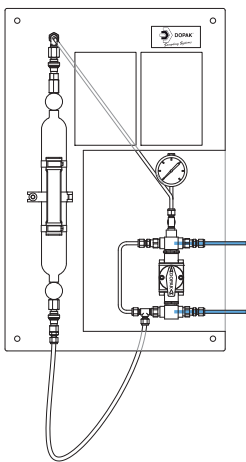
DOPAK® Process Sampler Type S32-G

process to flare configuration (G3)

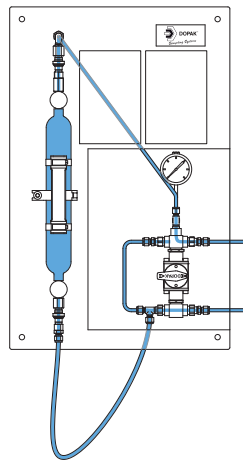


The ability to purge the sample point ensures optimal retrieval of a representative, contamination free sample. The S32-G type samplers provide a system purge to a flare connection in addition to sampling in a sample cylinder and the ability to depressurise the quick connect couplings before disconnecting the sample cylinder. The unique design offers a one-handle operation by multiple valves. These features provide sample accuracy and safety.

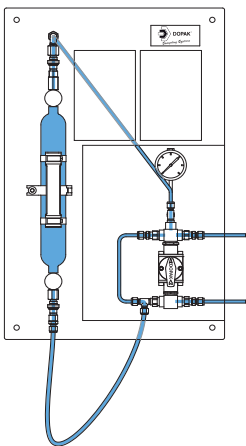
1 OPERATION/FUNCTION



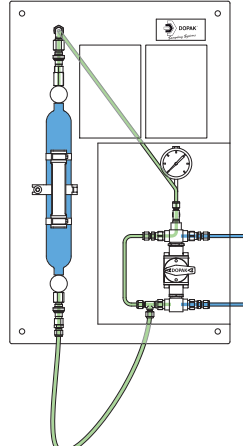
0 - off
Install the sample cylinder and connect the flexible hose to the bottom side of the sample cylinder. Open the needle valves of the sample cylinder.



1 - system purge
Turn the handle to the "process" position allowing the sample cylinder to be filled. To ensure a representative sample, this position can be held for any required time.

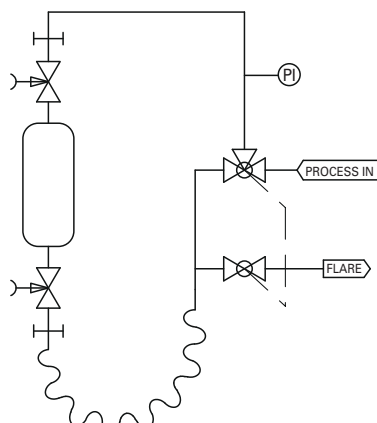


2 - off
Turn the handle to the "off" position. Close the two needle valves of the sample cylinder.

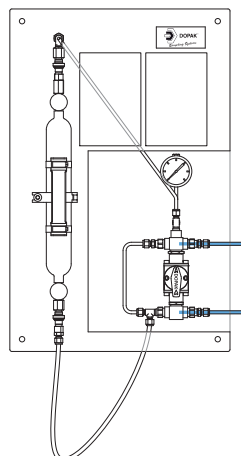


3 - depressurise/vent
Turn the handle to the "vent" position. The internal connection between the sample cylinder and the flare connection has now been made. The quick connects are being depressurised and vented to the flare connection.

2 TYPICAL P & ID



process to flare configuration (G3)



4 - off
Turn the handle to the "off" position. Disconnect the flexible hose. Remove the sample cylinder and connect the flexible hose to the top quick connect coupling.

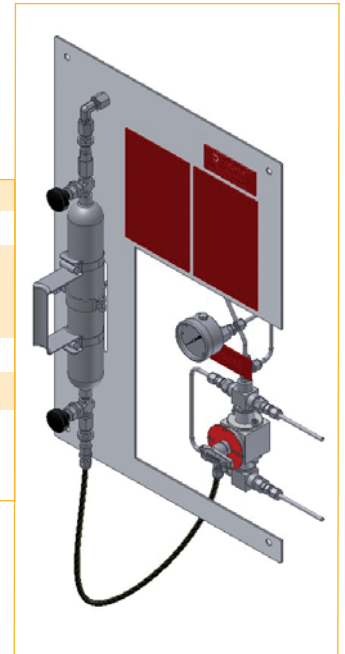


3 FEATURES/ADVANTAGES/PROPERTIES

- Sampling in cylinder with predefined filling rate
- Representative sampling
- Zero dead volume
- Closed sampling
- One handle operation of multiple valves
- Fixed volume sampling
- Purging of sampler
- Depressurising of quick connect couplings

4 BASIC SPECIFICATIONS

Material	SS316, SS316L.
Cylinder type	500cc cylinder.
Valves	Three-way ball valve type W83. PTFE seats, Viton A O-rings. Pressure range 103 bar @ 20°C (1500 psig @ 70°F). Temperature range -17/+232°C (0/+450°F).
Operation	Manual.
Connections	1/4" FNPT, pressure gauge included.
Please note:	the above is a basic specification only. DOPAK® Samplers can be offered with a wide variety of options as mentioned below.



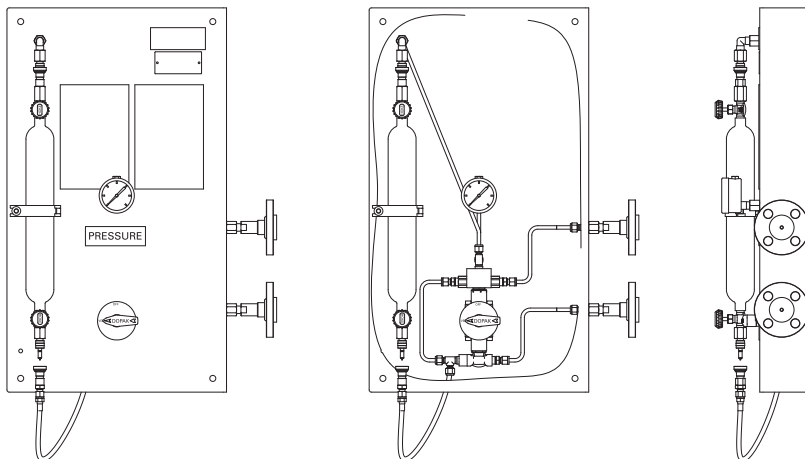
5 OPTIONS

- Spring return handle
- Lockable handle
- Pipe stand
- Block valve
- Flow meter
- Enclosure
- Sample cooler
- Exotic materials
- Larger/smaller sample size

For more information please refer to our sheets:

Options for DOPAK® process samplers, sampling into a cylinder.

Components for DOPAK® process samplers.



Dopak Inc.

Houston, Texas 77041, USA
 Phone 713-460-8311
 Fax 713-460-8578
 E-mail info@dopak.com

Dovianus BV

Bergschenhoek, The Netherlands
 Phone +31 10 524 20 00
 Fax +31 10 524 20 29
 E-mail info@dopak.nl

Your local representative:

